

Anti-Metal White Tag



Durable RFID tag built for metal surfaces and industrial use

The Industrial White Anti-metal RFID Tag is a high-performance solution designed to track assets on metal surfaces, where standard RFID tags often fail. Engineered with precision using an FR-4 substrate and epoxy encapsulation, this tag offers stable and reliable operation across indoor and outdoor environments.

Its compact yet robust build ensures consistent read accuracy in metal-rich settings, achieving up to 3.5 meters read range. Whether adhered with industrial-grade 3M adhesive or securely mounted with screws, the tag maintains optimal signal performance while resisting environmental stress, impacts, and temperature fluctuations.

Ideal for asset and equipment tracking, On-Metal tag supports applications in manufacturing, logistics, data centers, and heavy industries. It enables efficient management of tools, pallets, containers, and large machinery, making it a trusted choice for organizations seeking dependable identification in industrial and infrastructure-driven operations.

Overview

Frequency Band

UHF 920 - 923 Mhz (ID)

Chip

Alien H9

Form Factor

60×30×3 mm, 11.8g

Certifications

RoHS, CE, REACH

Industry Segments

Logistics
Supply Chain
Retail
Manufacture
Healthcare

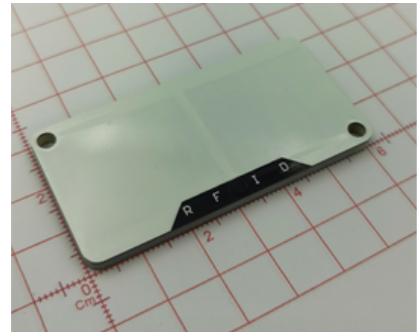
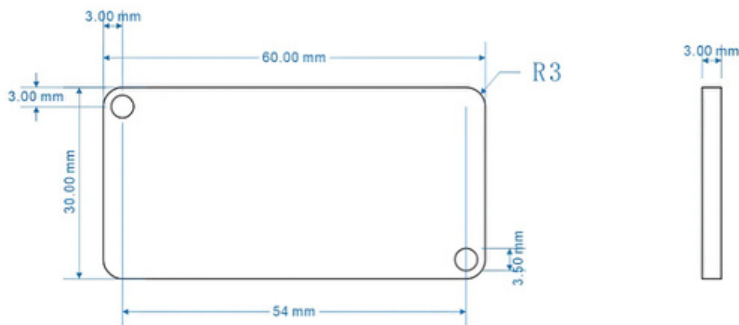
Applications

Warehouse Shelf
IT Asset Tracking
Metallic Container Tracking
Equipment & Device Tracking
Automotive Components

Technical Features

Chip	Alien H9
Form Factor	60 × 30 × 3 mm, 11.8g
Frequency Band	902–928 MHz
Adhesive Type	3M 300LSE Adhesive / Screws
Antenna Material	Copper + Gold
Tag Material	FR-4
Certifications	RoHS PASS, CE PASS, REACH PASS
Ingress Protection	IP65 or equivalent waterproofing
Operating Mode	Passive UHF RFID
Storage Temperature	-20°C to +150°C
Operating Temperature	-20°C to +80°C

Product Overview



Contact Information

www.tudi.id/contact-us
+62 877-3201-8345

Connect with us on  

© 2025 TUDI. All rights reserved. Ruko BE01A, Jl. Citra Dua Extension No.5, Pegadungan, Kec. Kalideres, Kota Jakarta Barat, Jakarta 11830, Indonesia. Third-party trademarks and/or trade names used herein are the property of their respective owner(s) and appear solely for identification purposes.